



Equipment Rails

Technical Product Information

ER-2A & ER-2B Styles

P.O. NUMBER _____

CUSTOMER _____

PROJECT _____

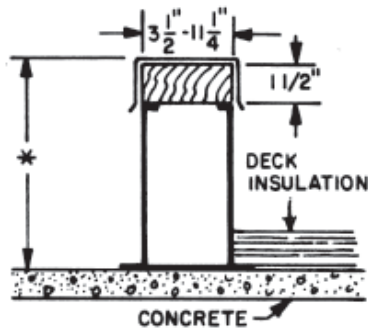
LOCATION _____

ARCHITECT _____

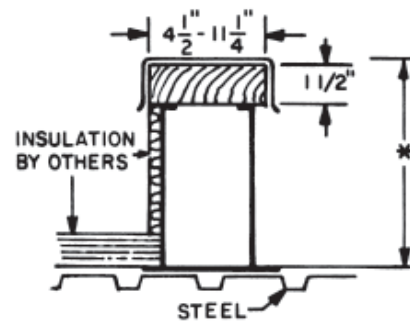
STANDARD CONSTRUCTION

- 18 GAUGE GALVANIZED STEEL
- GALVANIZED CAP FLASHING
- WOOD NAILER
 - "A" STYLE FLUSH
 - "B" STYLE _____ OVERHANG
- UNITIZED CONSTRUCTION
- INTERNAL REINFORCEMENT
- CONTINUOUS WELDED CORNER SEAMS

NOTE: STANDARD LUMBER OVERHANG 1/2"
UNLESS SPECIFIED OTHERWISE



ER-2A STYLE



ER-2B STYLE

* NOTE: STANDARD OVERALL HEIGHT 11" UNLESS SPECIFICALLY SHOWN BELOW

PROJECT REQUIREMENTS

QTY.	STYLE	LENGTH	WIDTH	* OVERALL HEIGHT	"B" STYLE NAILER OVERHANG	PITCH REQUIREMENTS		TAG
						LONG SIDE	SHORT SIDE	